

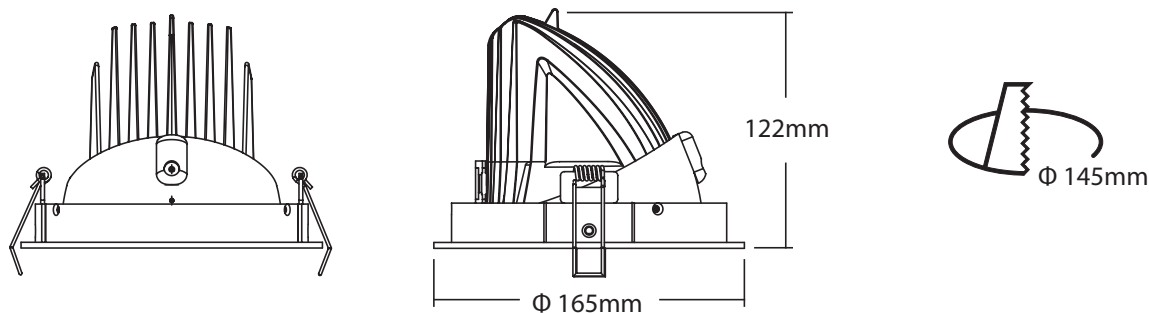


24W Downlight



- Commercial lighting
- Easy installation
- 80% energy saving, compared to traditional light sources

Dimension



Specification

Item	Specification
Power Consumption (W)	24
Input Voltage	AC 100-240 50/60Hz
Field Angles	70°(B.A. 30°)
Color Temperature	Cool White / Nature White / Warm White
CRI	90
Finished Colors	White

Nomenclature

The following table describes the available colors, and angles.

ETL - 24 7 3 00

X1
X2
X3
X4
X5

X1	X2	X3
Product name	Wattage	Field Angle
Trunk light	24 = 24W	7 = 70°

X4	X5
Color	Lens Types
1 = Cool White 2 = Neutral White 3 = Warm White	00 = Glass White

Illuminance and Field Angles

• Cool White /Neutral White/Warm White

Power Consumption(W)	Part Number	Beam Angles	Field Angles	CCT(Typ.)	Lm (Typ.)
24W	ETL-247100	30°	70°	5650~7000K	2150
	ETL-247200			3800~4500K	2150
	ETL-247300			2670~3050K	2150